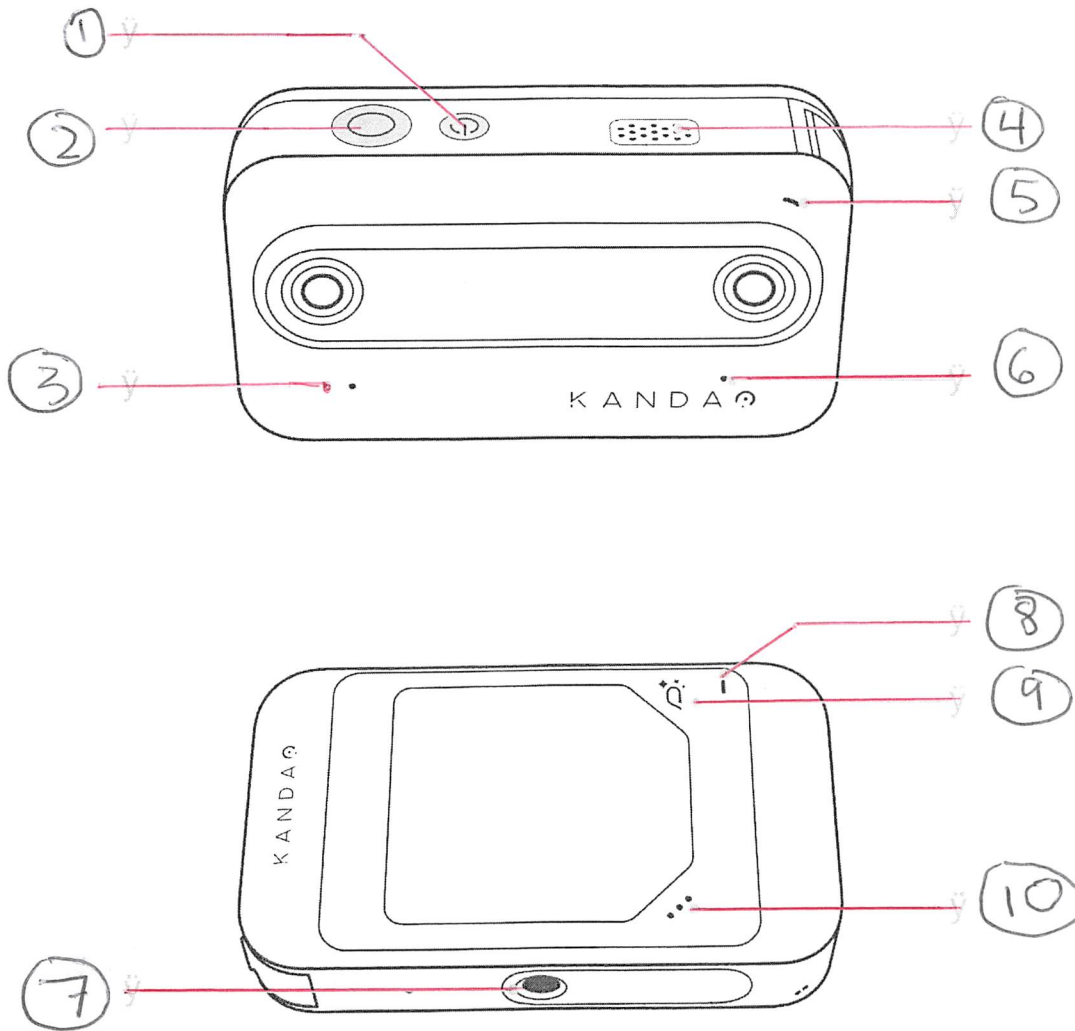


product description

Get to know the camera



① Power button

③ Microphone (left)

⑤ Status Indicator

⑦ ^{TRIPD HOLE} Threaded hole

⑨ receive sharing

② shooting key
*SWITCH
BUTTON*

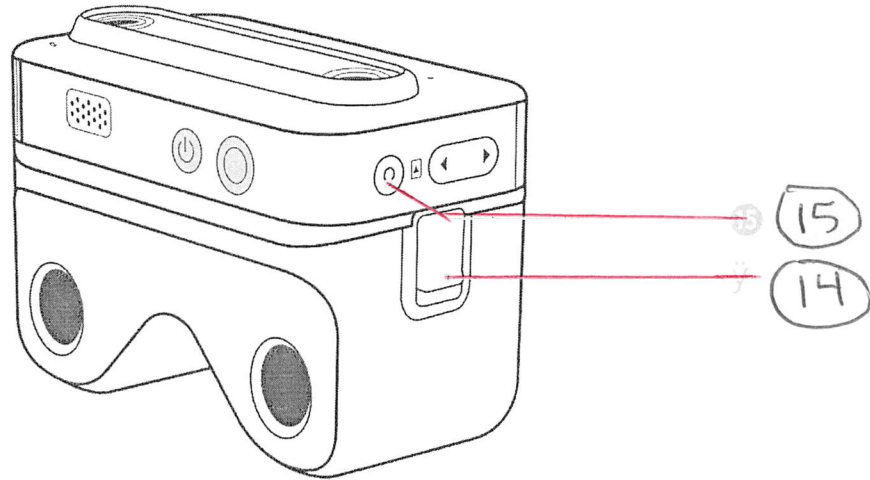
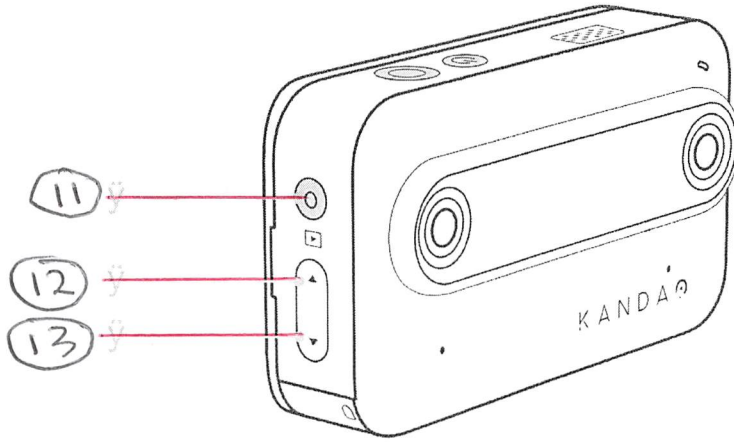
④ speaker

⑥ Microphone (right)

⑧ Status Indicator II

Parameter key

⑩



11 Playback key

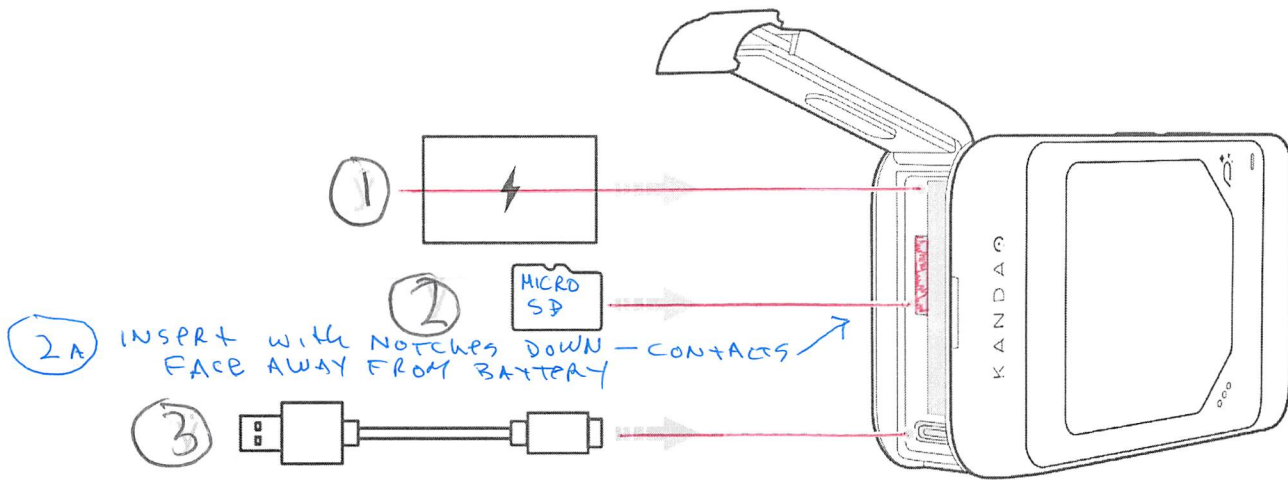
12 up key

13 down key

14 Lock

15 OK key

Interface Description



1 Battery slot: for placing and removing batteries.

Note: When inserting the battery, the sticker arrow is facing the SD card slot, which is the correct insertion direction.

After the battery is put in, you need to press down to make the battery and the host PIN tightly fit.

2 Memory card slot: used to place and remove the memory card.

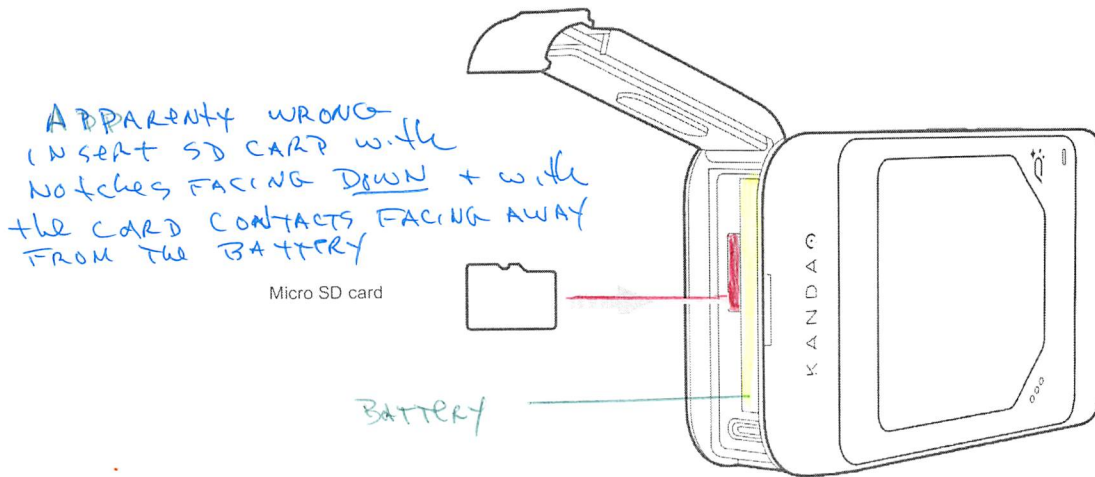
3 Type C: used to connect the data cable to power the device.

Image storage

After installing the Micro SD card, the images captured by the EGO can be stored in the Micro SD card.

It supports up to 8GB memory card, and it is recommended to use a U card.

Please insert the Micro SD card into the SD card slot as shown in the figure.



Notice:

- ① Wash your hands before installation and dry your hands before handling the SD card.
- ② Check the manufacturer's guidelines for acceptable temperature ranges and other important information on the memory card before use.
- ③ SD card performance will gradually degrade over time and affect the camera's ability to save media files. If you have questions
problem, try replacing the old card with a new one.
- ④ Please be careful not to touch the SD card or the area near the card slot during recording. Interfering with the SD card may cause abnormal recording.
- ⑤ QooCam EGO file system only supports exFAT, not FAT file system